

FELCO 230 - Green

Two-hand pruning shear - Lever-action lopper with straight anvil -Length 80 cm (31.5 in.)- for easy access to branches

Made in Switzerland by FELCO



40mm/1.6in. 800mm/31.5in. 1150g/40.5oz.



- > **Reliable:** rigid, high-resistance tubular aluminium alloy handles / protected lever system / tough tempered steel blade and replaceable anvil made of high-grade forged aluminium / clean and precise cut / spare parts
- > **Efficient:** optimised lever system for effortless cutting / easy tool adjustment / cutting head with a slender, straight anvil for easier access to branches to be cut
- > **Ergonomic:** ultra-light tool / effortless cutting / safety stop that prevents finger pinching / handles with non-slip coating

RECOMMENDED FOR

Our recommendation (★ = Recommended, ★★ = Strongly recommended, ★★★ = Best fit)

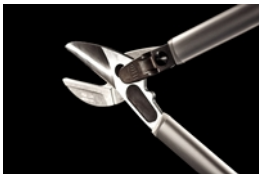
Arboriculture	★★★
Parks and Gardens	★★★
Small hand	★★★
Average-sized hand	★★★
Large hand	★★★
Right-handed	★★★
Left-handed	★★★

THE POINTS OF EXCELLENCE



Cutting head with straight anvil

The cutting head with straight anvil allows for easier access to branches that necessitate cutting. It additionally guarantees easier cutting. Ideal for hard or dry wood.



Cam-assisted action

The cam-assisted action greatly reduces the effort required to cut through the wood.



Aluminium handles

Lightweight, super-strong materials.

ACCESSORIES



FELCO 903
Sharpening tool
Sharpener

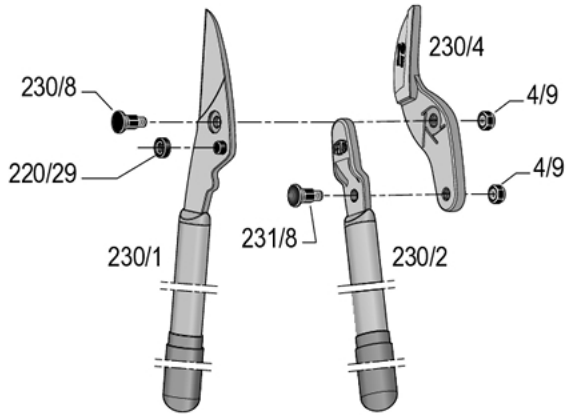


FELCO 980
Maintenance product
Spray



FELCO 990
Maintenance product
Grease

SPARE PARTS



FELCO	REF.	Designation	Composition	UCC Barcode
	230/4	Anvil with nuts	1x 230/4 + 2x 4/9	 7 83929 40113 3
	230/1	Handle with blade	1x 230/1	 7 83929 40116 4
	230/2	Handle without anvil	1x 230/2	 7 83929 40117 1
	230/8	Bolt	1x 230/8	 7 83929 40189 8
	231/8	Bolt	1x 231/8	 7 83929 40190 4
	4/9	Nut	1x 4/9	 7 83929 40205 5
	220/29	Roller	1x 220/29	 7 83929 40187 4